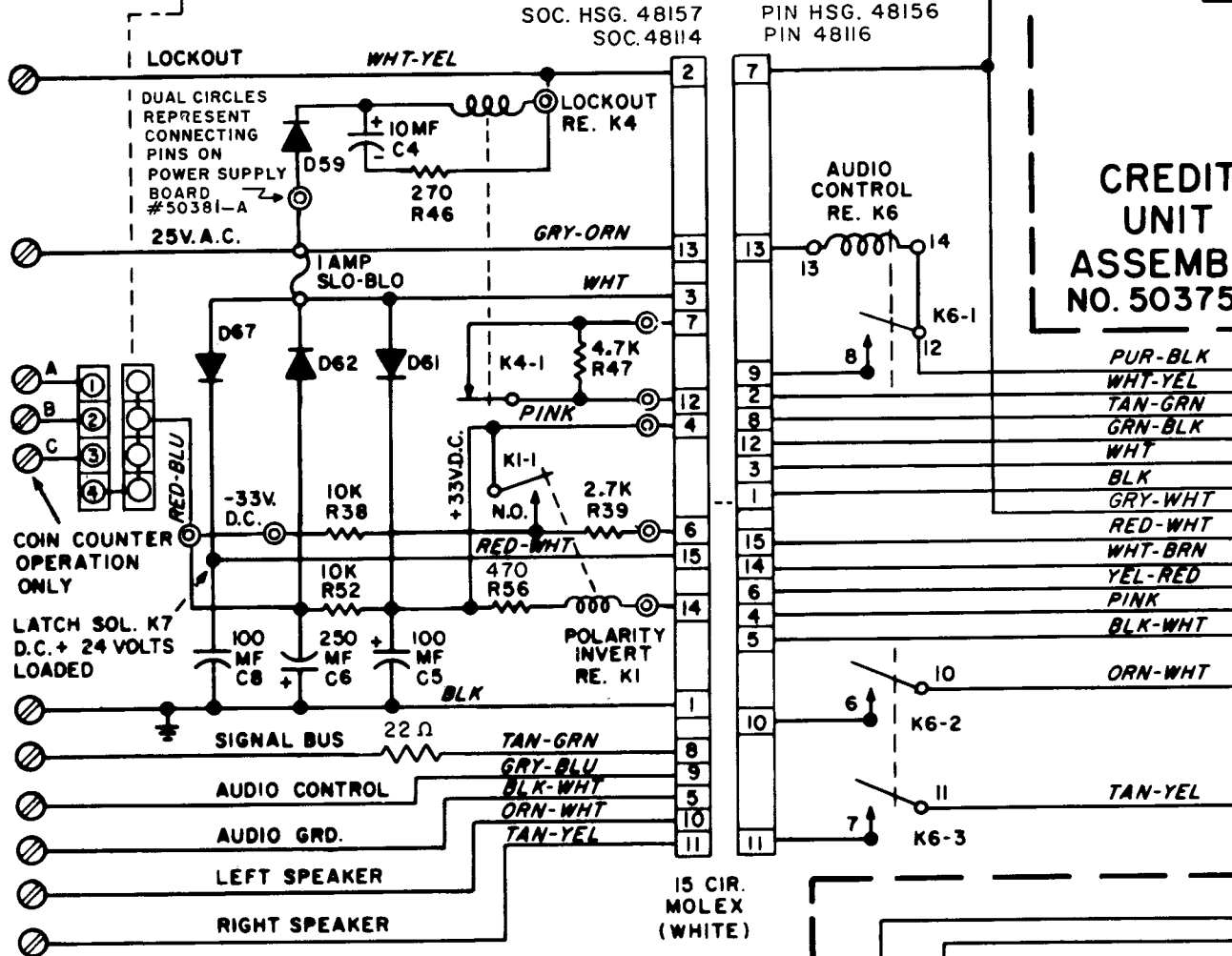
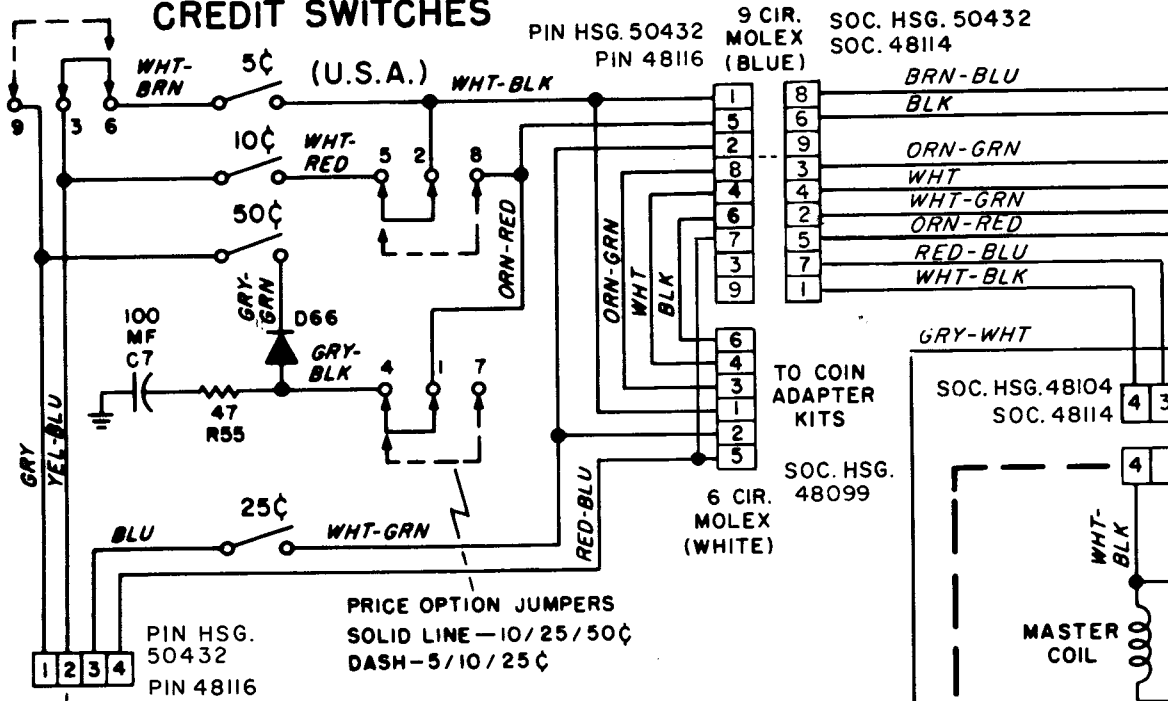


SEE OTHER SIDE FOR FOREIGN WIRING REVISIONS

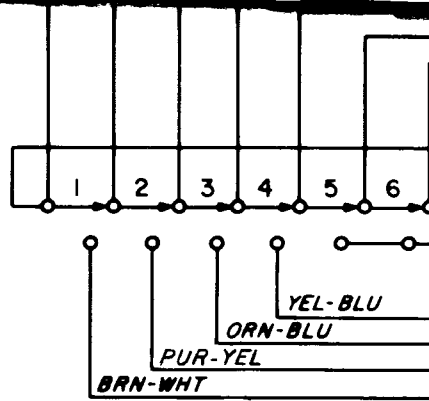
CREDIT SWITCHES



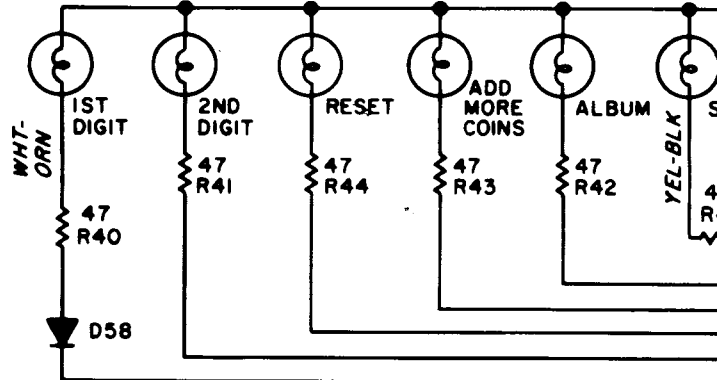
PUSHBUTTON SW.
ASSEMBLY COMPLETE
NO. 50395-A

BOTTOM
LEVEL

WALL BOX
FRONT

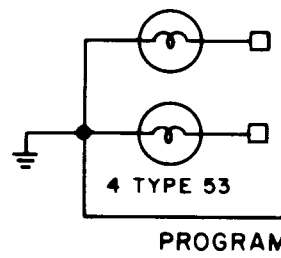
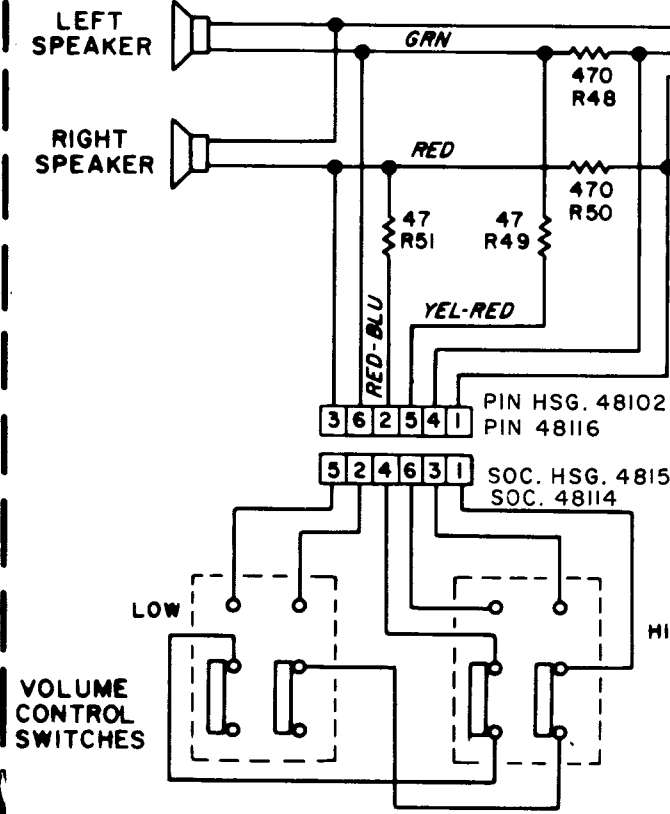


SIGNAL LITES

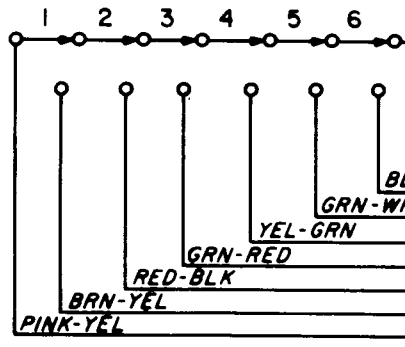


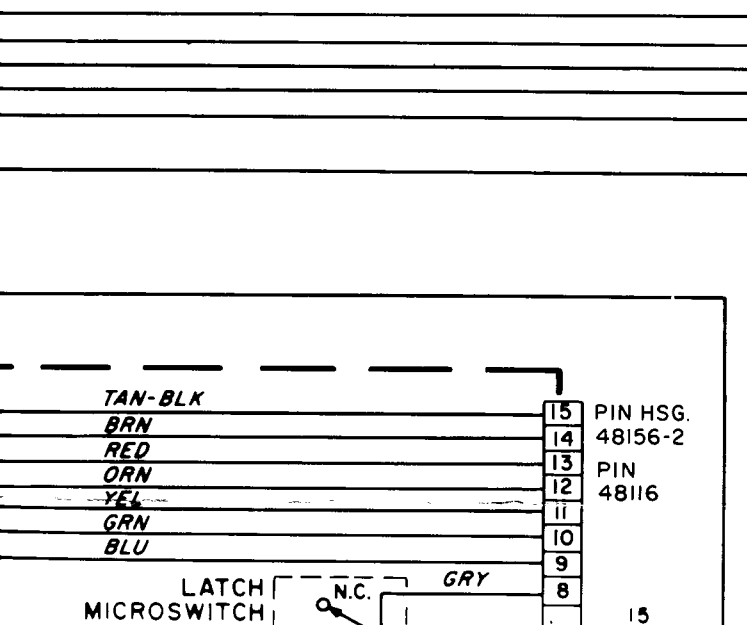
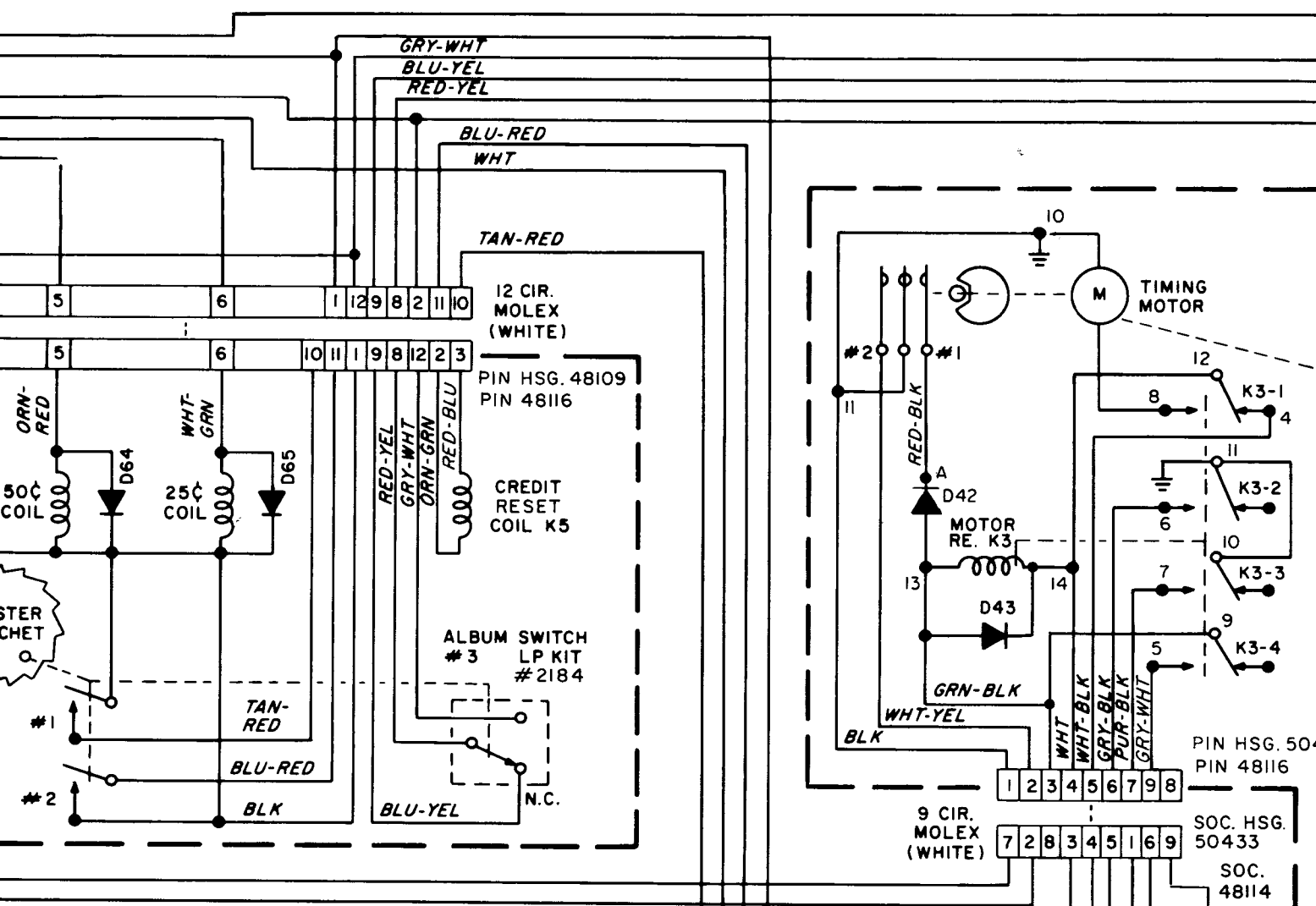
LEFT
SPEAKER

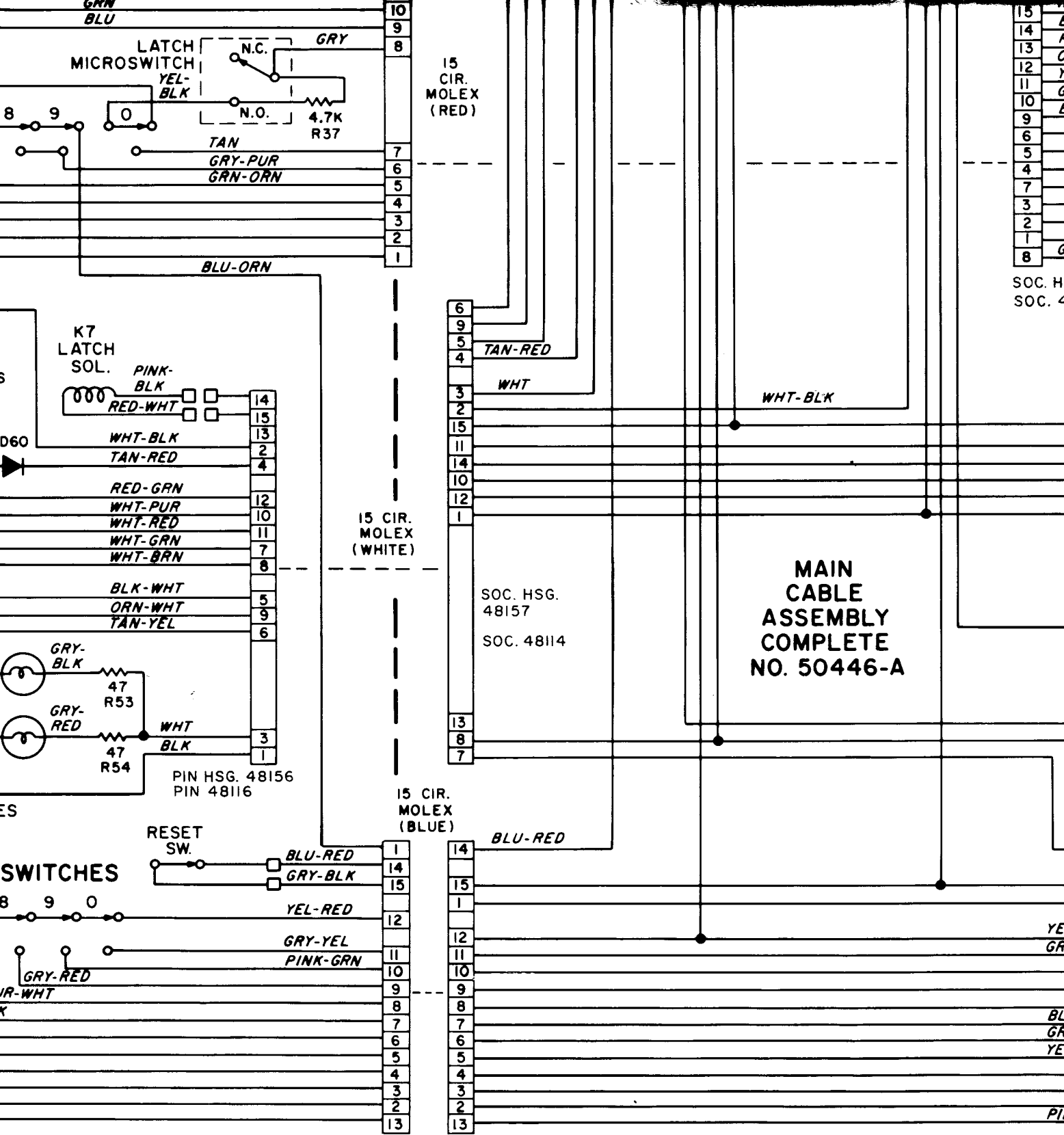
RIGHT
SPEAKER



TOP LEVEL PUSHBUTTON







PIN HSG. 48156-6
PIN 48116

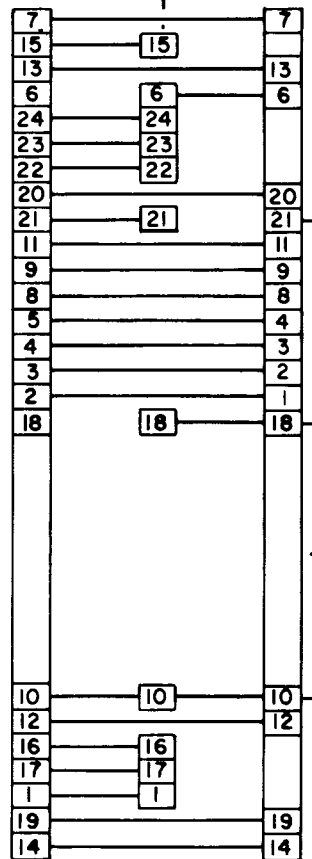
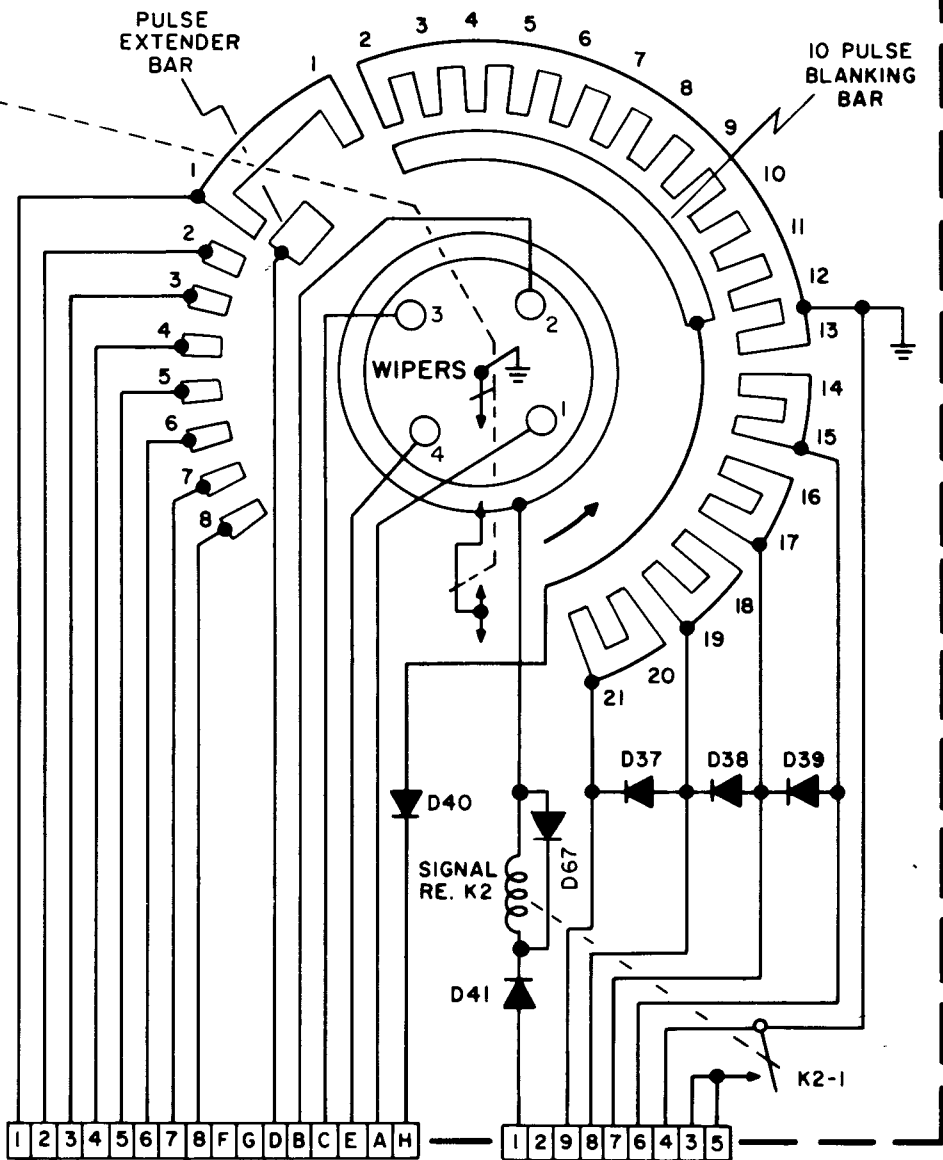
SOC. HSG. 48157-6
SOC. 48114

ROCK-OLA WALL WIRING D

BRN-BLU

GRY-WHT
BLU-YEL
RED-YEL
ORN-GRN

MOTOR BOARD & WIPER ASSEMBLY COMPLETE NO. 50690-A

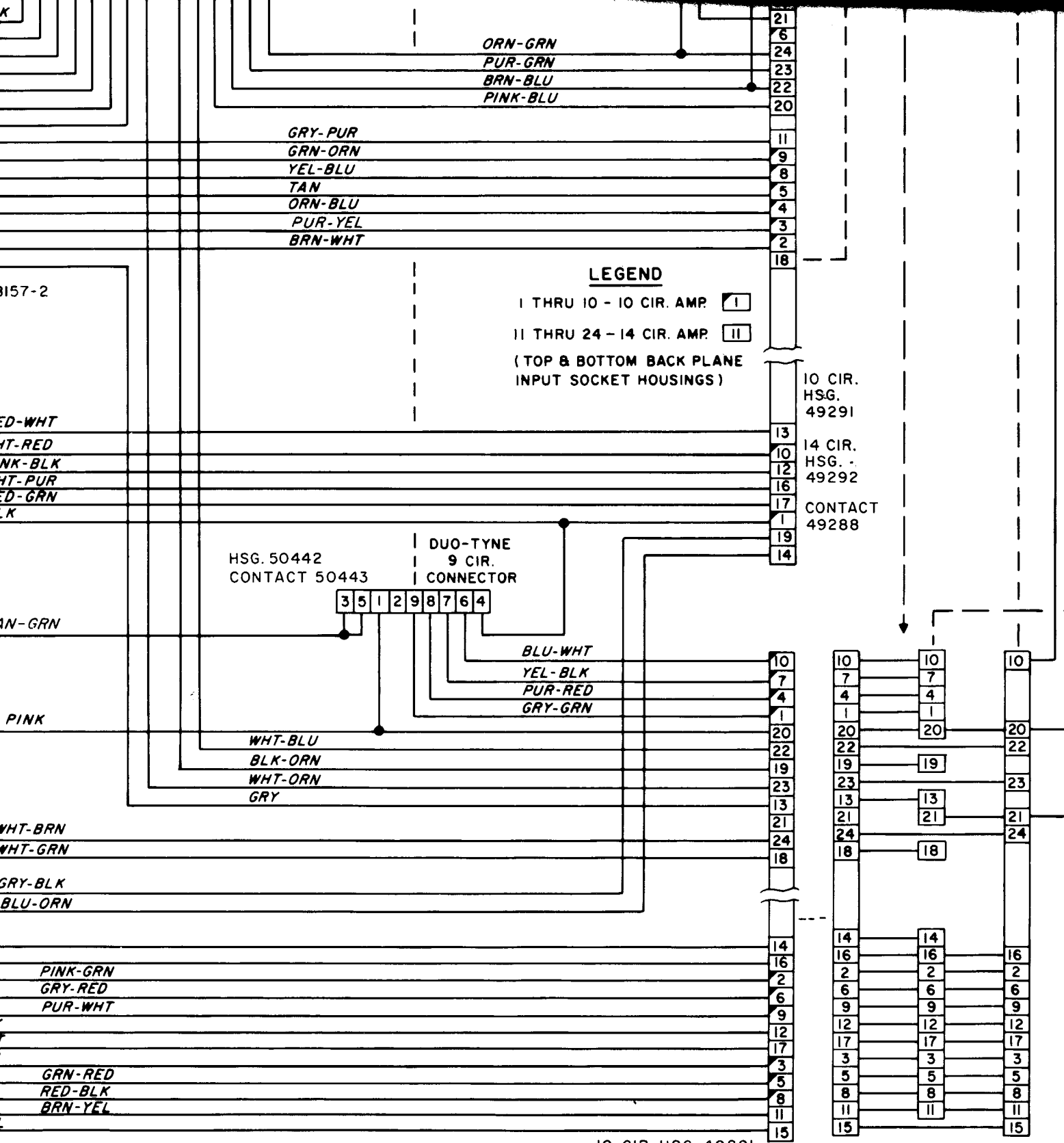


TOP BACK PLANE INPUT

MAIN BOARD ASSEMBLY NO. 50430-A

ORN-GRN
PUR-GRN
BRN-BLU

7
15
21
6
24
23

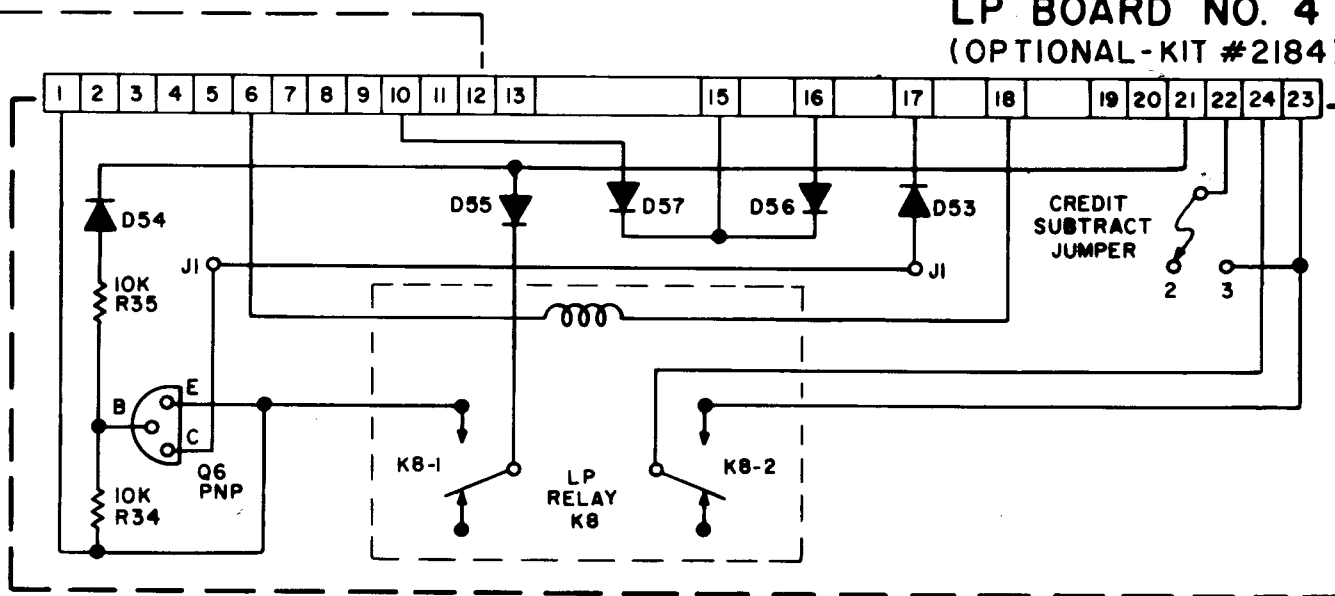


**X MODEL 507
GRAM**

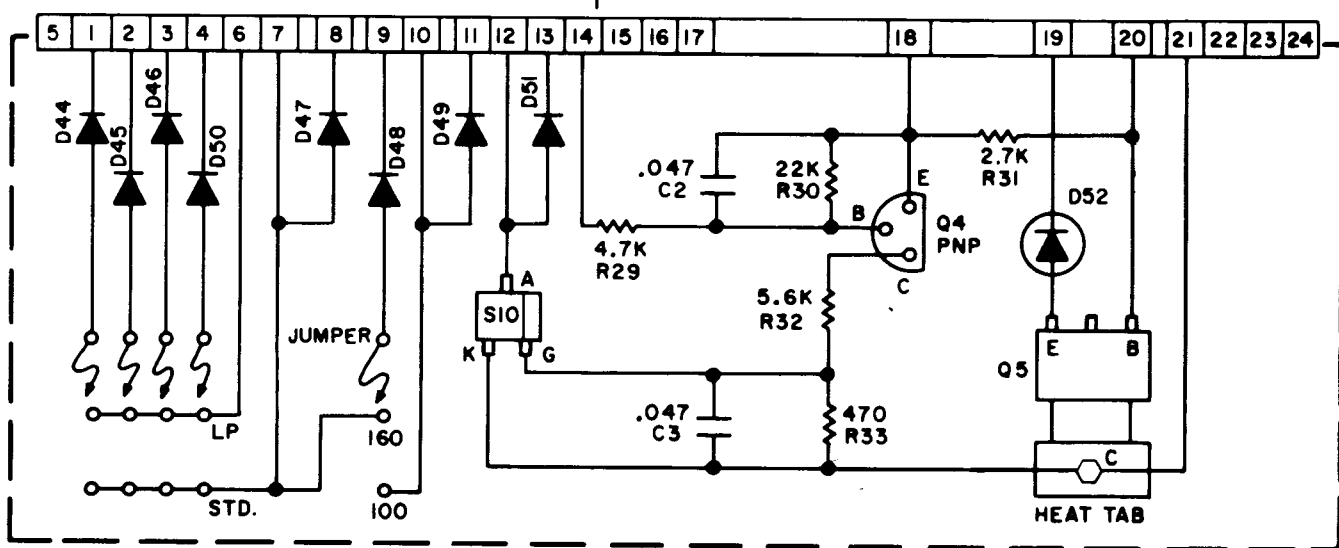
10 CIR. HSG. 49291
14 CIR. HSG. 49292
CONTACT 49288

**BOTTOM BACK
PLANE INPUT**

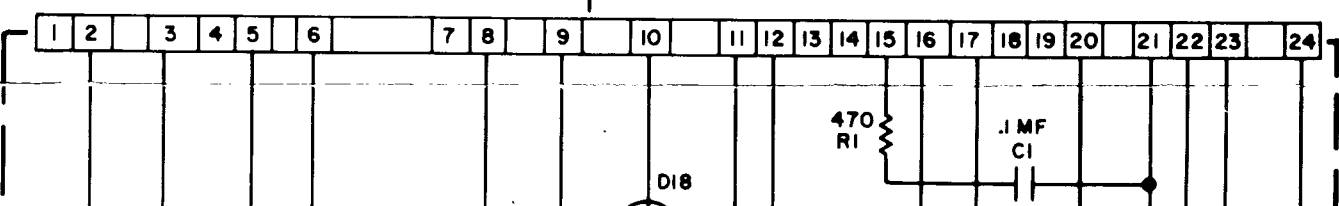
NO. 50420-A
 LP BOARD NO. 4
 (OPTIONAL-KIT #2184)

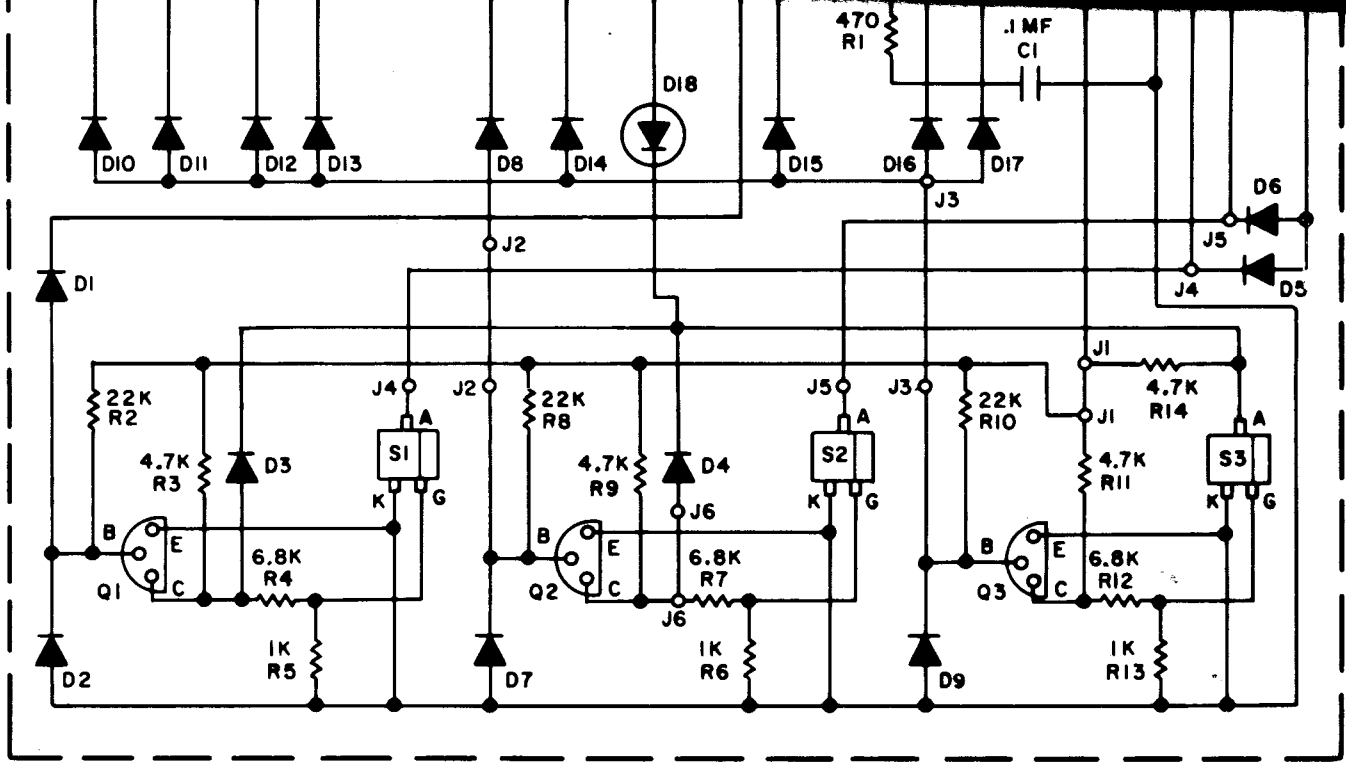


NO. 50415-A
 3RD. DIGIT BOARD NO. 3



NO. 50405-A
 1ST. DIGIT BOARD NO. 1





**NO. 50410-A
2ND. DIGIT BOARD NO. 2**

